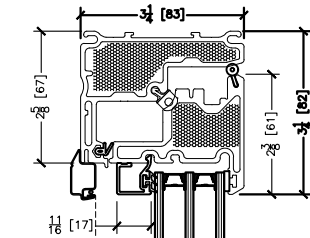
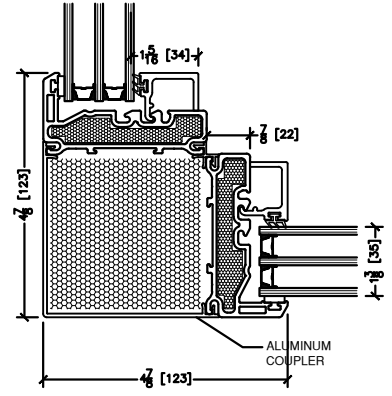
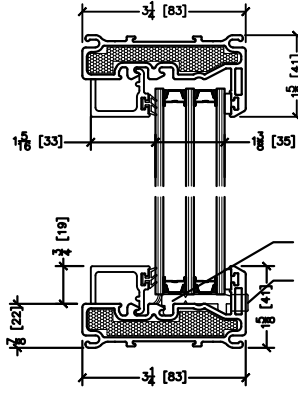


Triple Pane Section Drawings

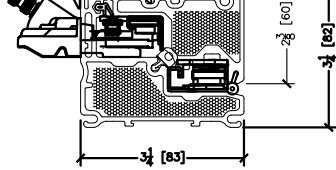
① 328 OP HEAD



③ LP FIXED HEAD



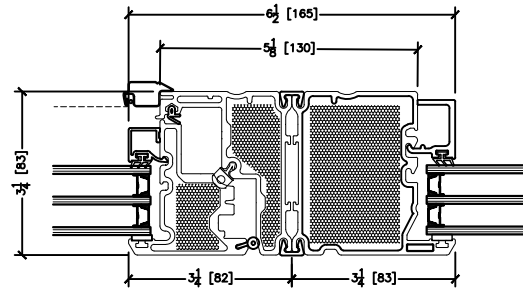
② 328 OP SILL



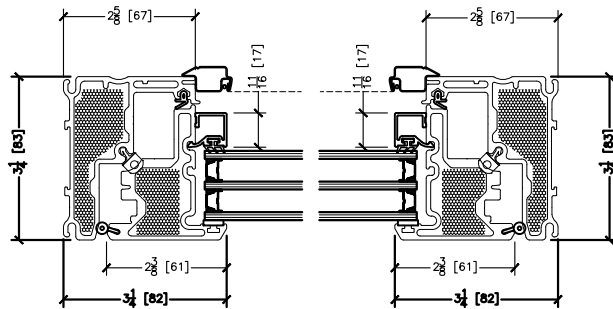
④ LP FIXED SILL



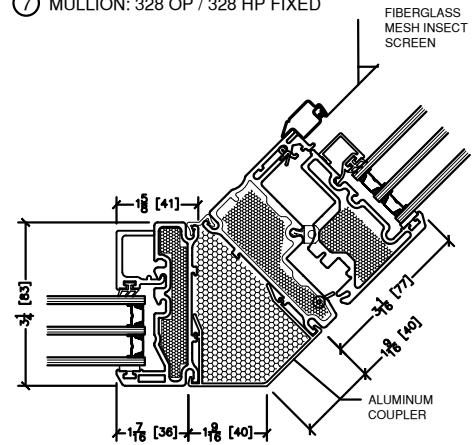
⑤ 90° BAY COVER



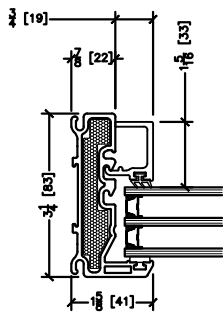
⑦ MULLION: 328 OP / 328 HP FIXED



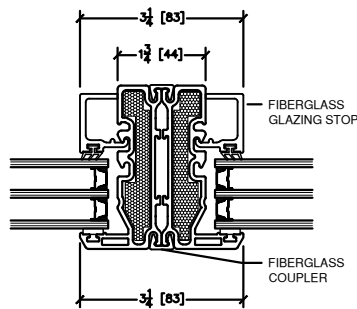
⑥ 328 OP JAMB



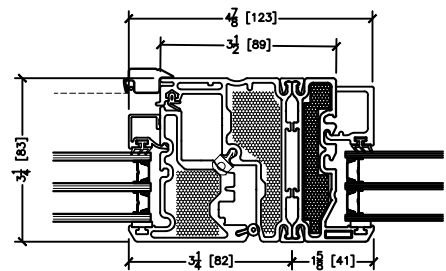
⑩ 45° BAY COVER



⑧ LP FIXED JAMB

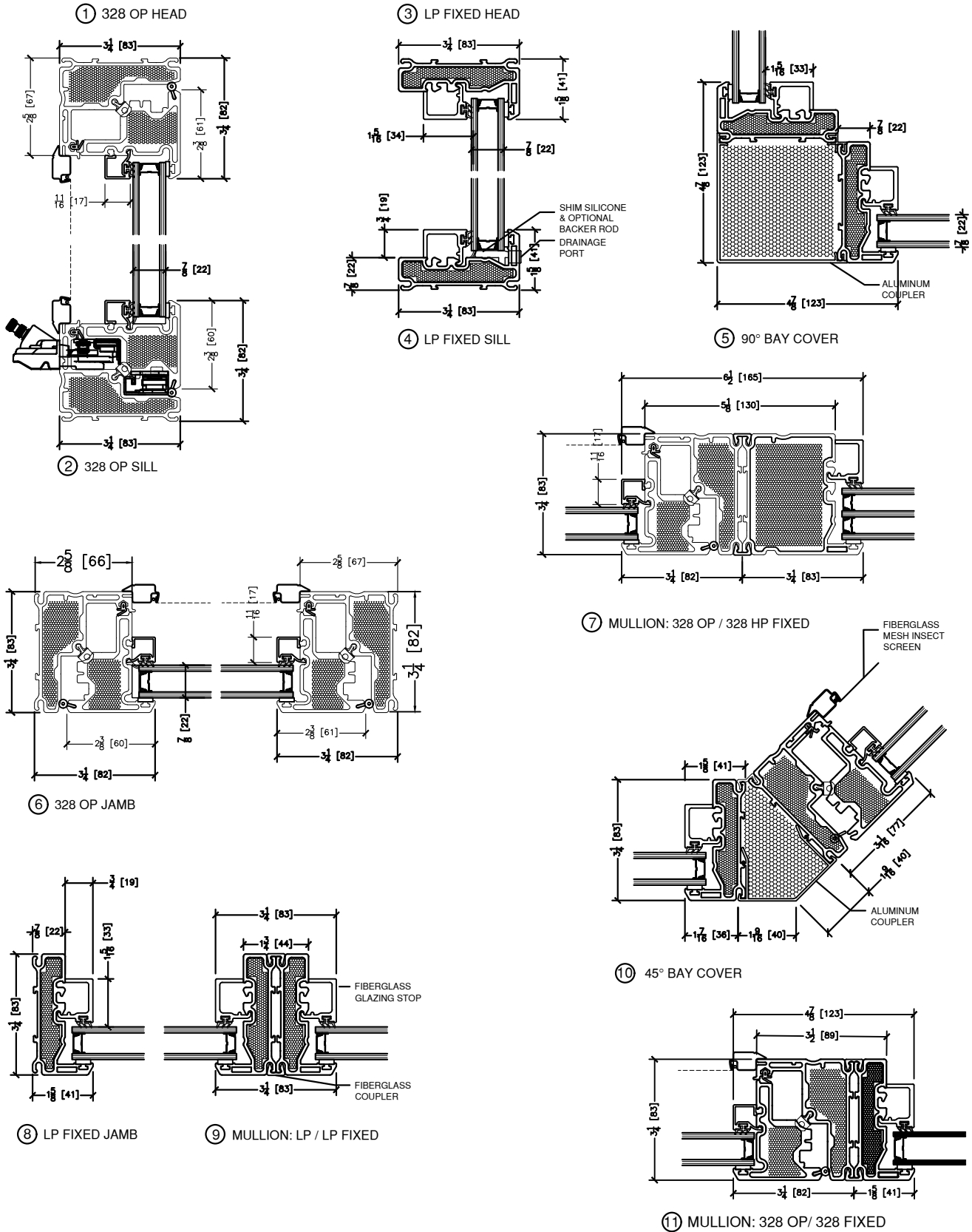


⑨ MULLION: LP / LP FIXED



⑪ MULLION: 328 OP / 328 FIXED

Dual Pane Section Drawings



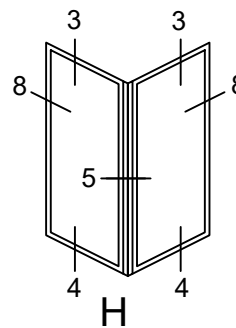
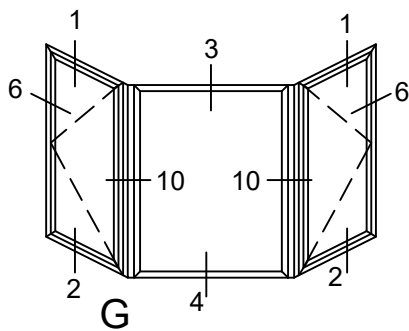
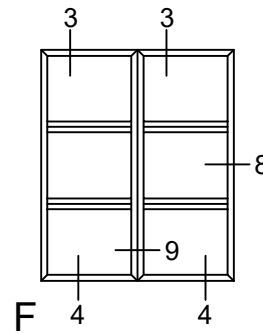
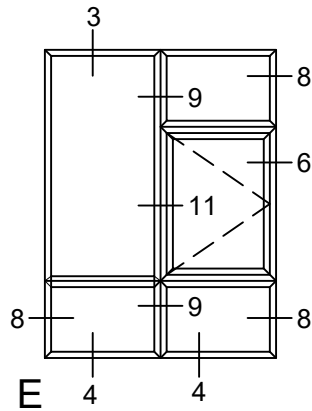
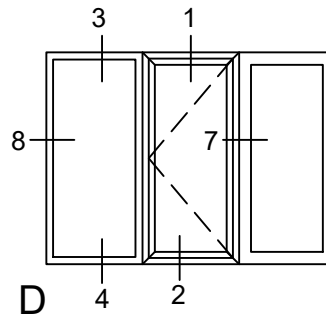
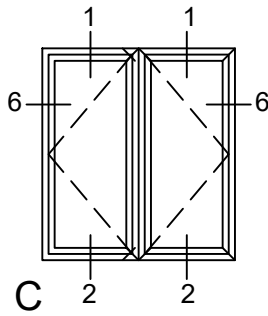
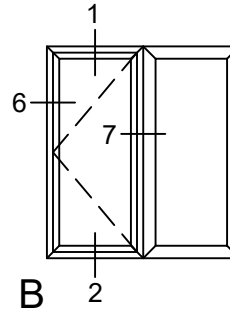
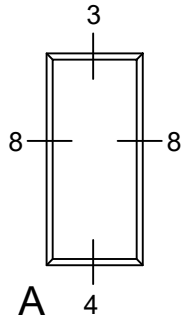


Series 328 Fiberglass Windows

FiberWall™ Fixed, Casement and Awning

45 Higgins Ave.
Winnipeg MB R3B 0A8
Tel. 1-204-339-6456
Fax 1-204-334-1800
www.duxtonwindows.com

Typical Elevations





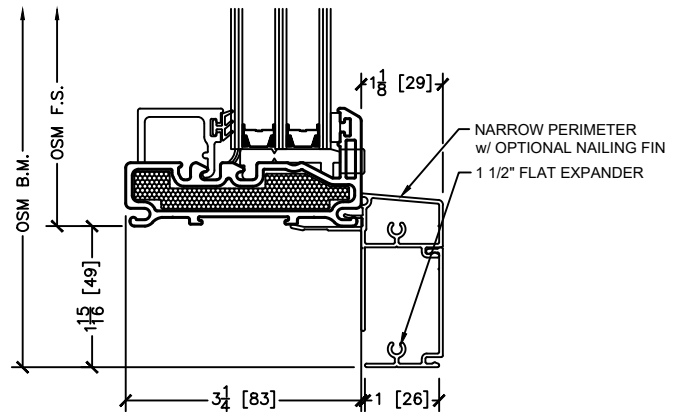
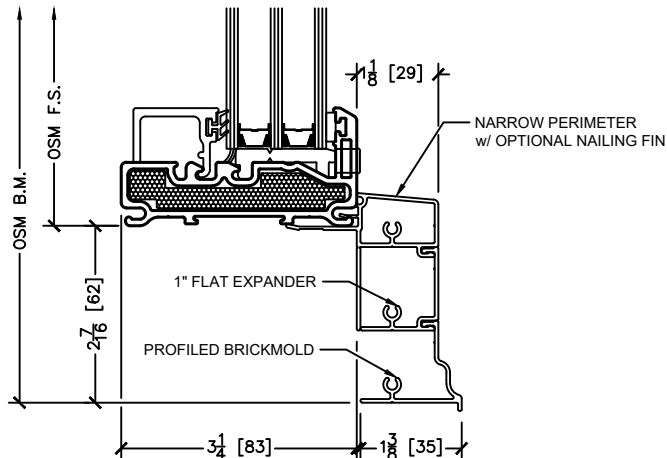
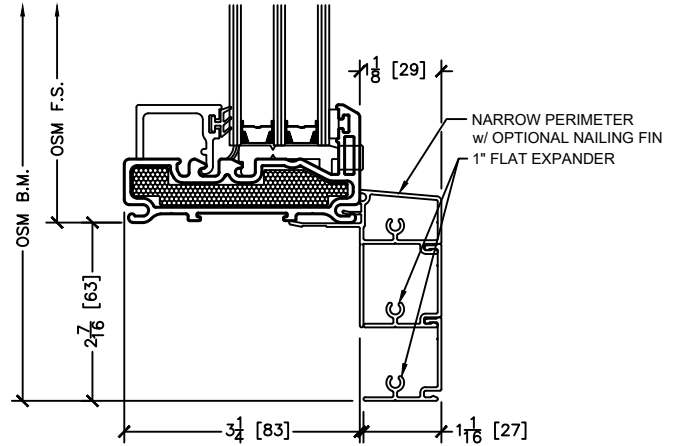
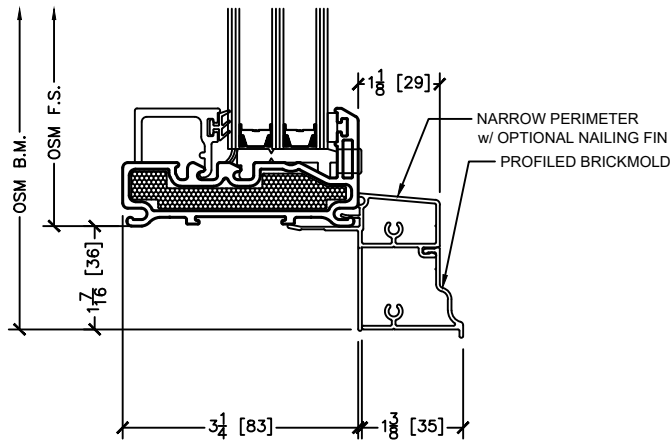
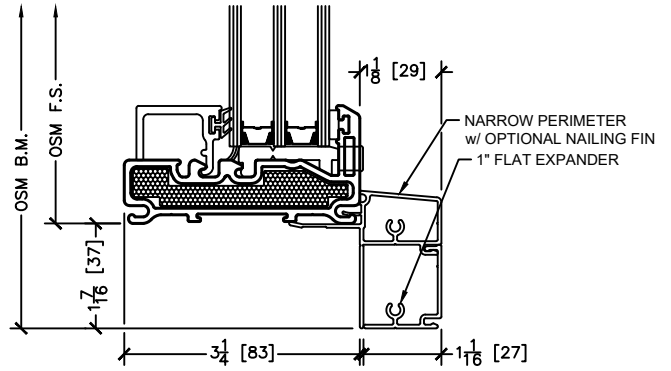
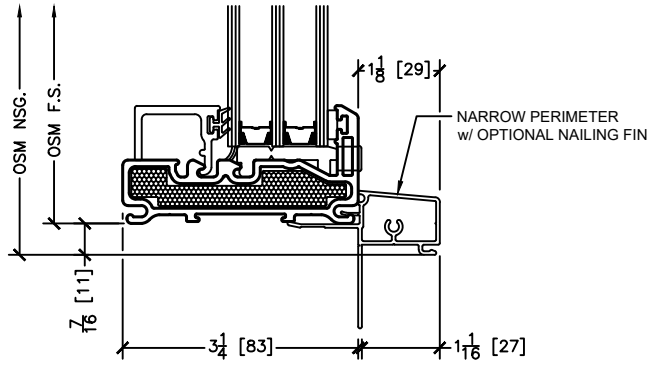
Series 328 Fiberglass Windows

FiberWall™ Fixed, Casement and Awning

45 Higgins Ave.
Winnipeg MB R3B 0A8
Tel. 1-204-339-6456
Fax 1-204-334-1800
www.duxtonwindows.com

Triple Pane Narrow Perimeter w/ Brickmold Options

Rough openings are 1/2" typical all around





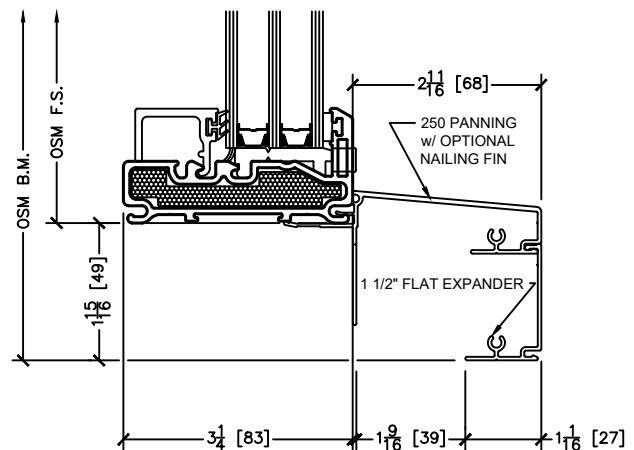
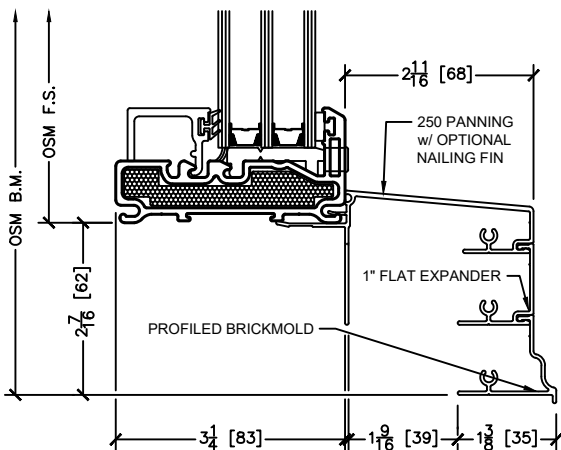
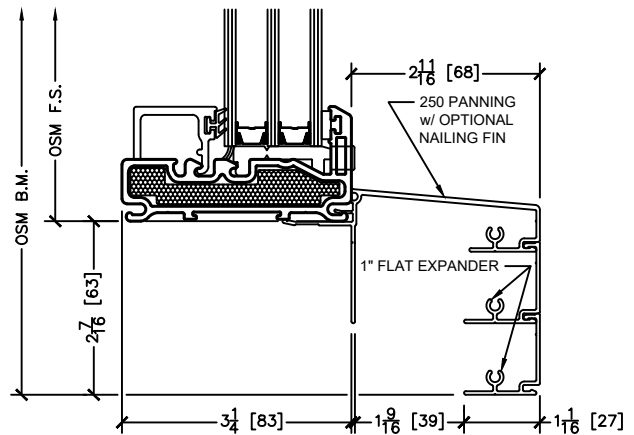
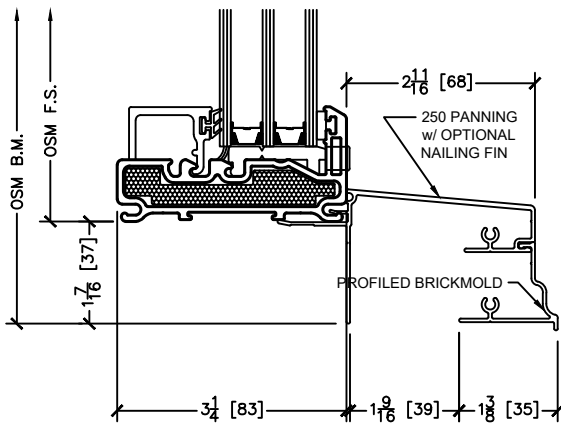
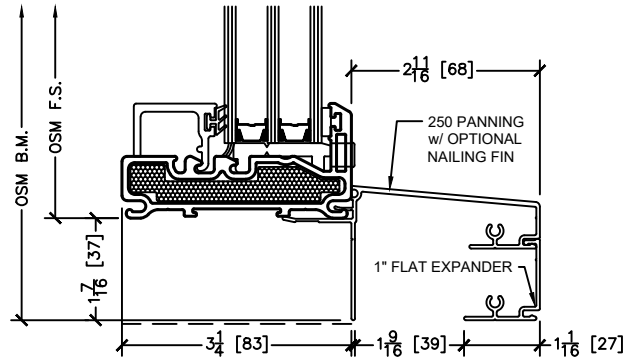
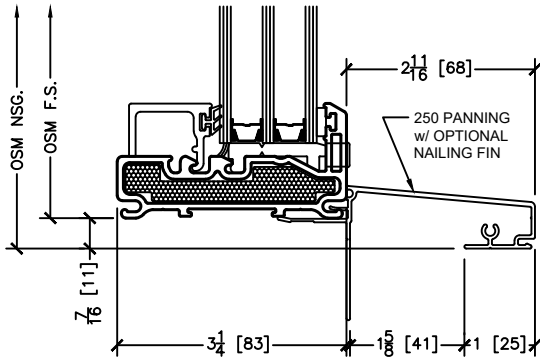
Series 328 Fiberglass Windows

FiberWall™ Fixed, Casement and Awning

45 Higgins Ave.
Winnipeg MB R3B 0A8
Tel. 1-204-339-6456
Fax 1-204-334-1800
www.duxtonwindows.com

Triple Pane 250 Panning Perimeter w/ Brickmold Options

Rough openings are 1/2" typical all around





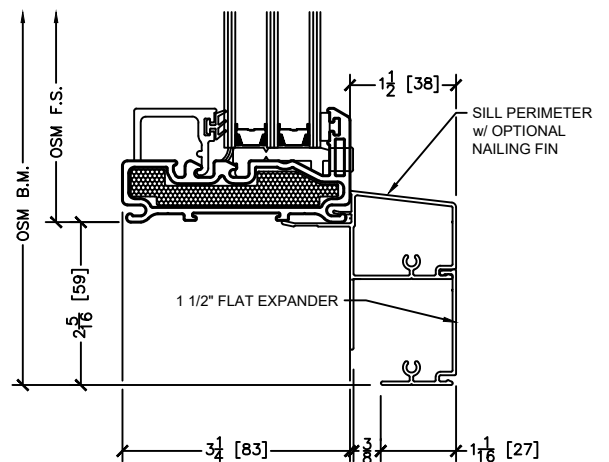
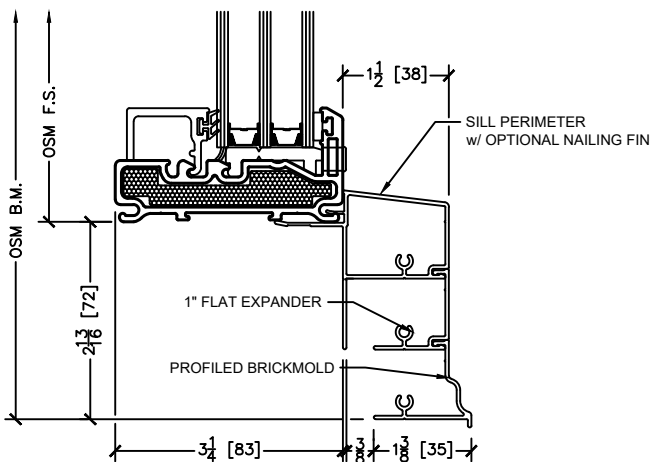
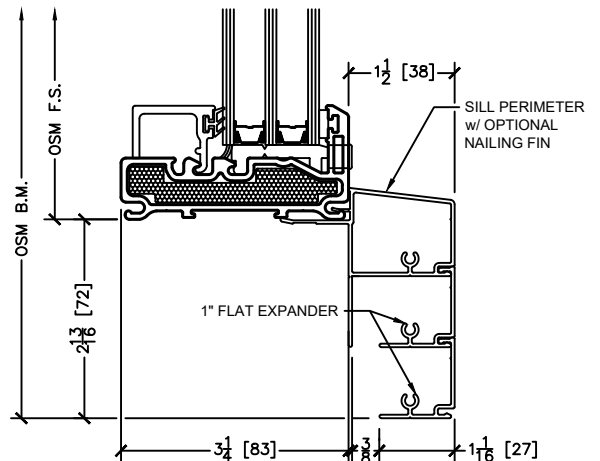
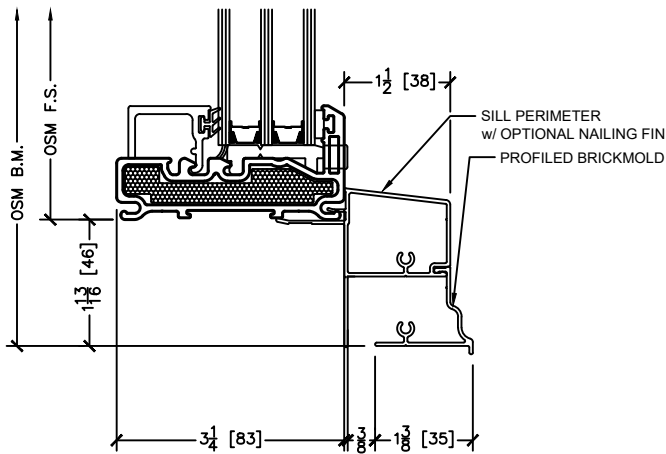
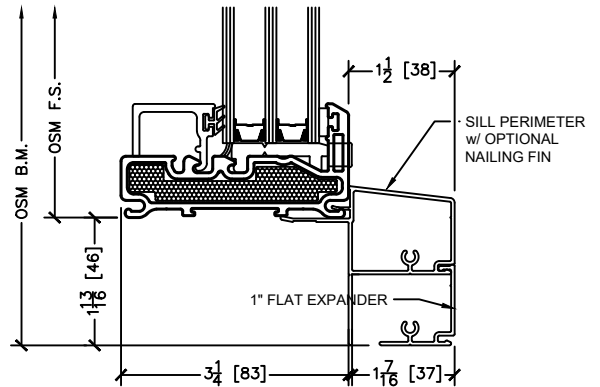
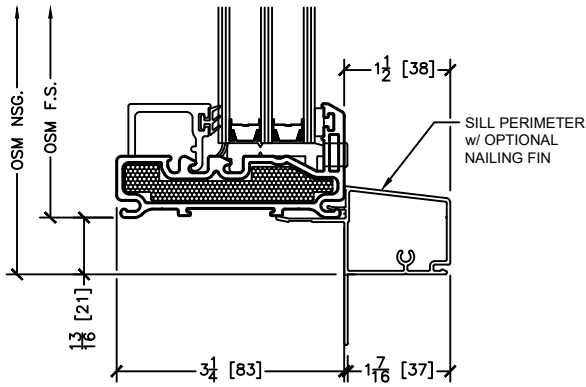
Series 328 Fiberglass Windows

FiberWall™ Fixed, Casement and Awning

45 Higgins Ave.
Winnipeg MB R3B 0A8
Tel. 1-204-339-6456
Fax 1-204-334-1800
www.duxtonwindows.com

Triple Pane Sill Perimeter w/ Brickmold Options

Rough openings are 1/2" typical all around



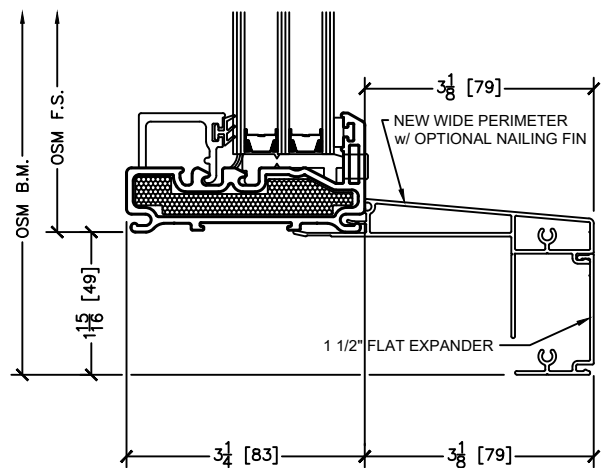
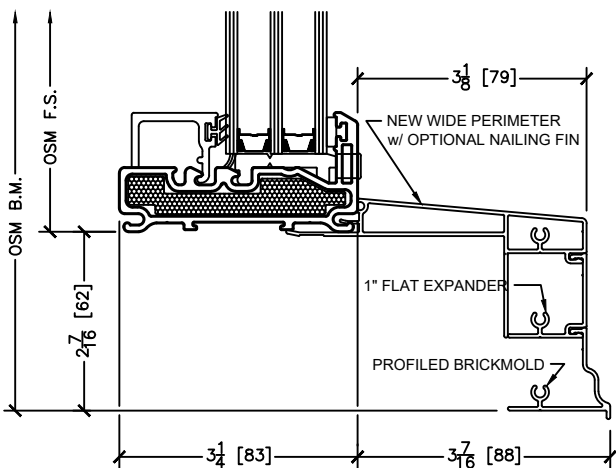
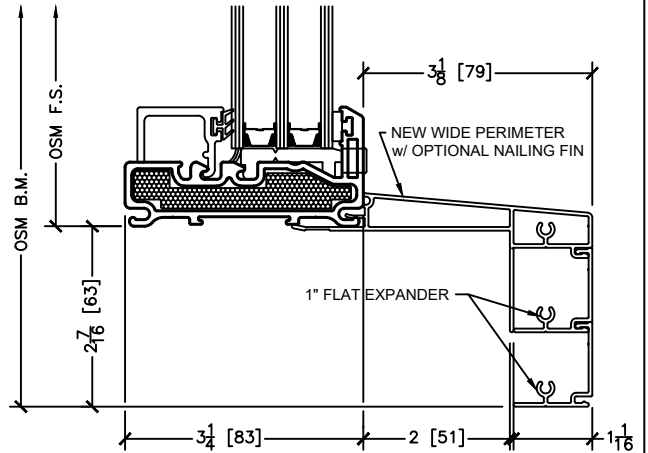
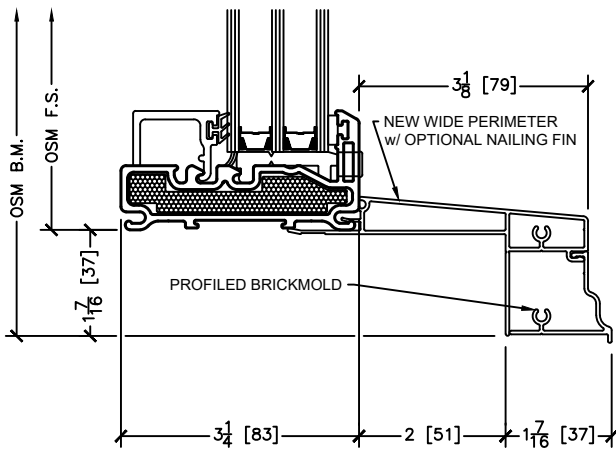
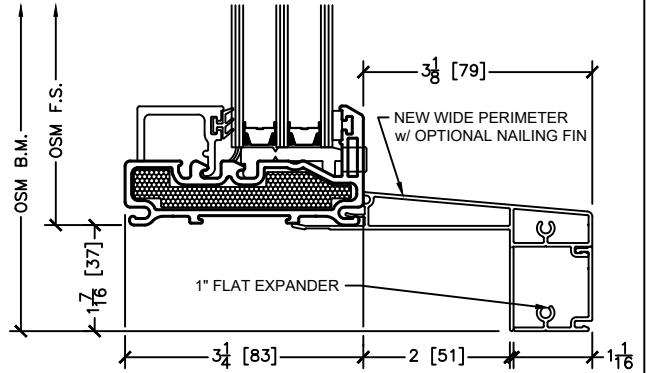
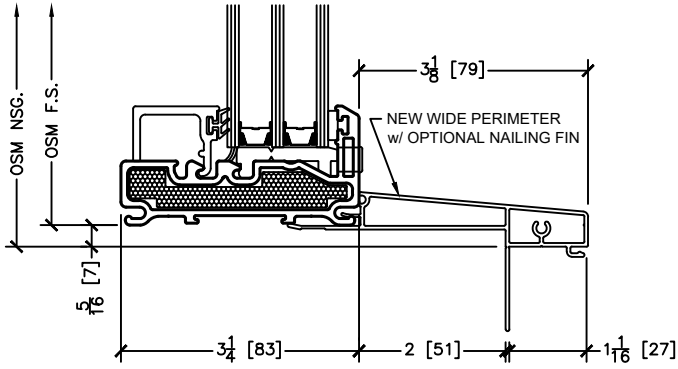


Series 328 Fiberglass Windows
 FiberWall™ Fixed, Casement and Awning

45 Higgins Ave.
 Winnipeg MB R3B 0A8
 Tel. 1-204-339-6456
 Fax 1-204-334-1800
 www.duxtonwindows.com

Triple Pane New Wide Perimeter w/ Brickmold Options

Rough openings are 1/2" typical all around



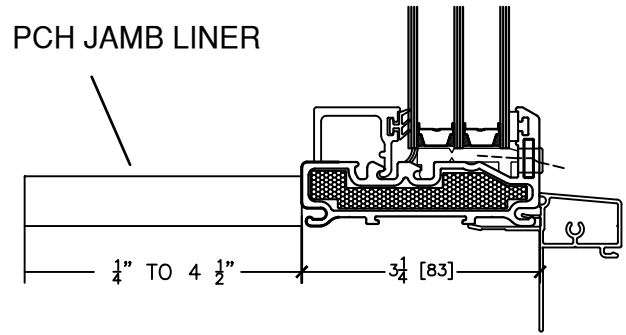
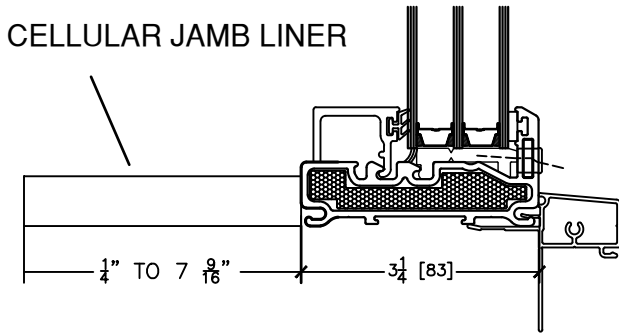


Series 328 Fiberglass Windows

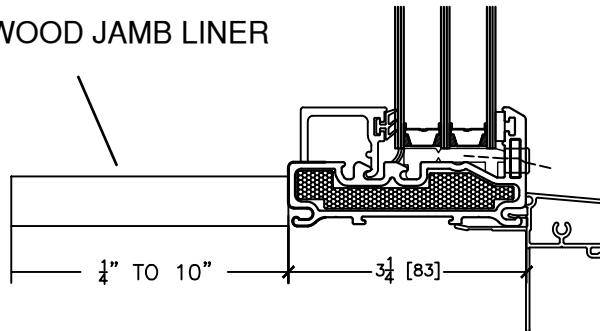
FiberWall™ Fixed, Casement and Awning

45 Higgins Ave.
Winnipeg MB R3B 0A8
Tel. 1-204-339-6456
Fax 1-204-334-1800
www.duxtonwindows.com

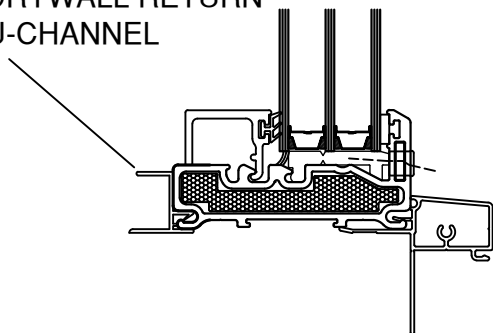
Jamb & Interior Options



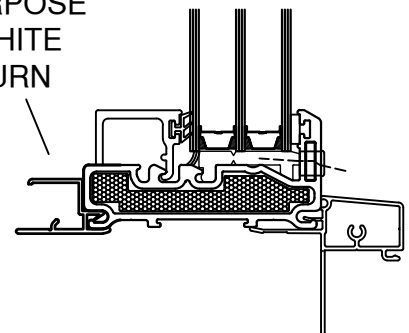
OTHER WOOD JAMB LINER



3/4" WHITE DRYWALL RETURN U-CHANNEL



NEW DUAL PURPOSE 1/2" AND 5/8" WHITE DRYWALL RETURN U-CHANNEL



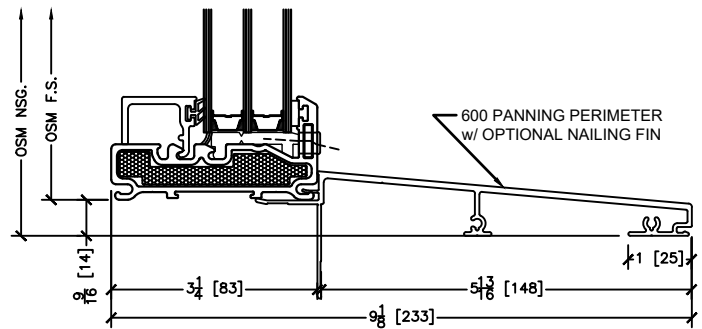
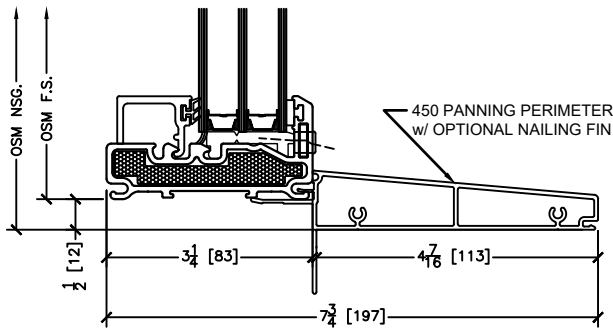
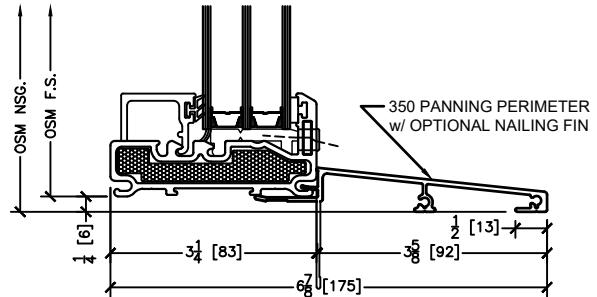
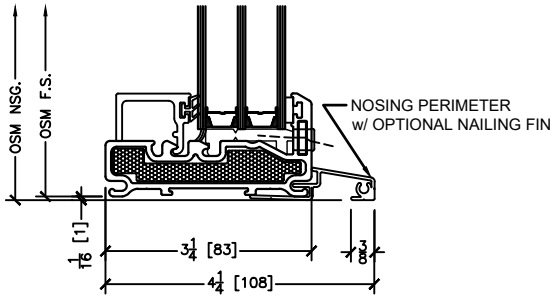


Series 328 Fiberglass Windows
FiberWall™ Fixed, Casement and Awning

45 Higgins Ave.
Winnipeg MB R3B 0A8
Tel. 1-204-339-6456
Fax 1-204-334-1800
www.duxtonwindows.com

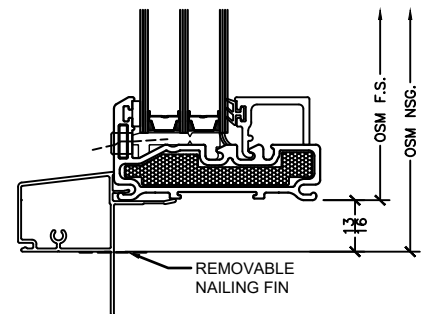
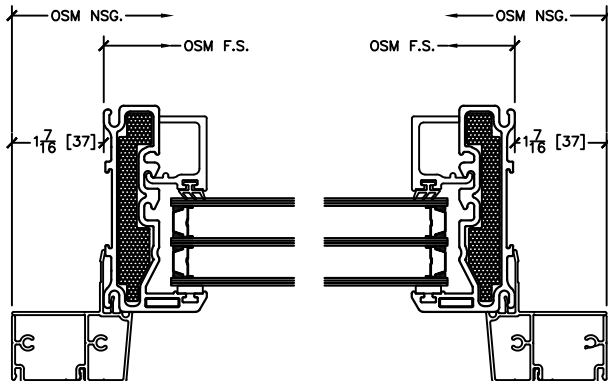
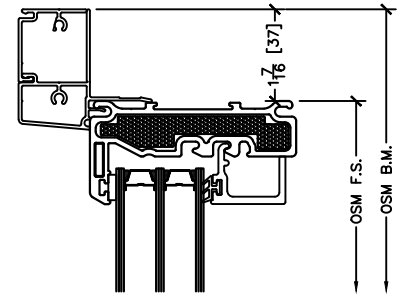
Triple Pane Other Perimeter Options

Rough openings are 1/2" typical all around



NARROW PERIMETER w/ SILL

NARROW PERIMETER WITH 1" FLAT EXPANDER (HEAD/JAMB)
SILL ON BOTTOM, NAILING FLANGE REMOVED ON SITE
USED IN CONJUNCTION TO REPLACE WOOD WINDOWS WITH A SILL DETAIL





Series 328 Fiberglass Windows

FiberWall™ Fixed, Casement and Awning

45 Higgins Ave.
Winnipeg MB R3B 0A8
Tel. 1-204-339-6456
Fax 1-204-334-1800
www.duxtonwindows.com

Installation Clip

- A. CORNER ANCHORS – SECURE APPROXIMATELY 4” FROM THE CORNERS
- B. PERIMETER ANCHORS – SPACING SHOULD NOT EXCEED 24” APART CENTER TO CENTER
- C. MULLION AND TRANSOM ANCHORS – ALWAYS ANCHOR WITHIN 4” OF MULLION OR TRANSOM

