



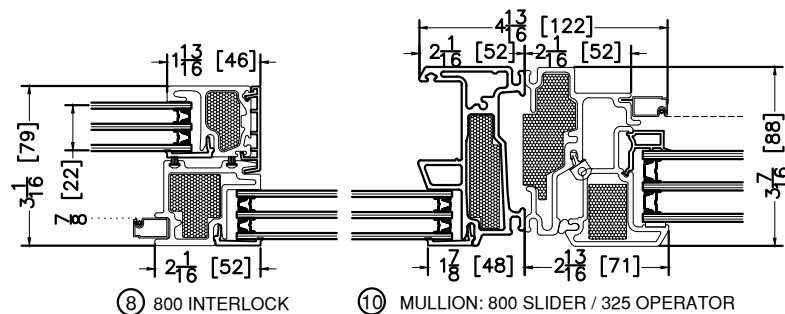
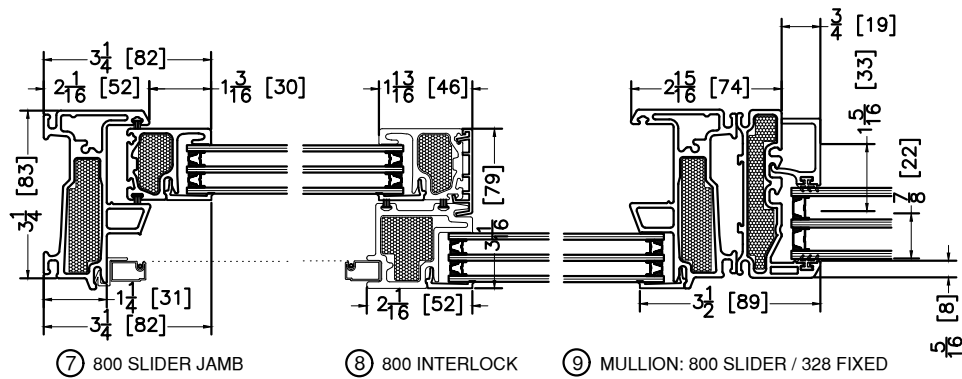
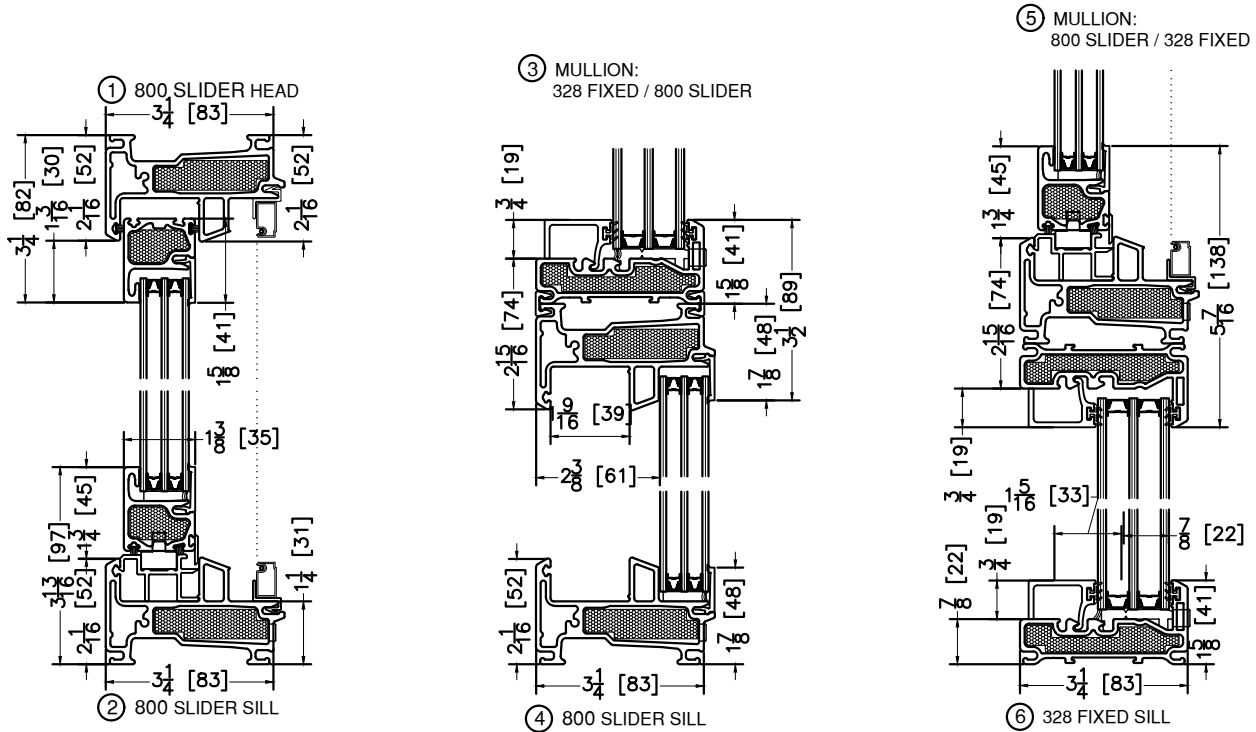
Series 800 Fiberglass Windows

Horizontal Slider

45 Higgins Ave.
 Winnipeg MB R3B 0A8
 Tel. 1-204-339-6456
 Fax 1-204-334-1800
 www.duxtonwindows.com

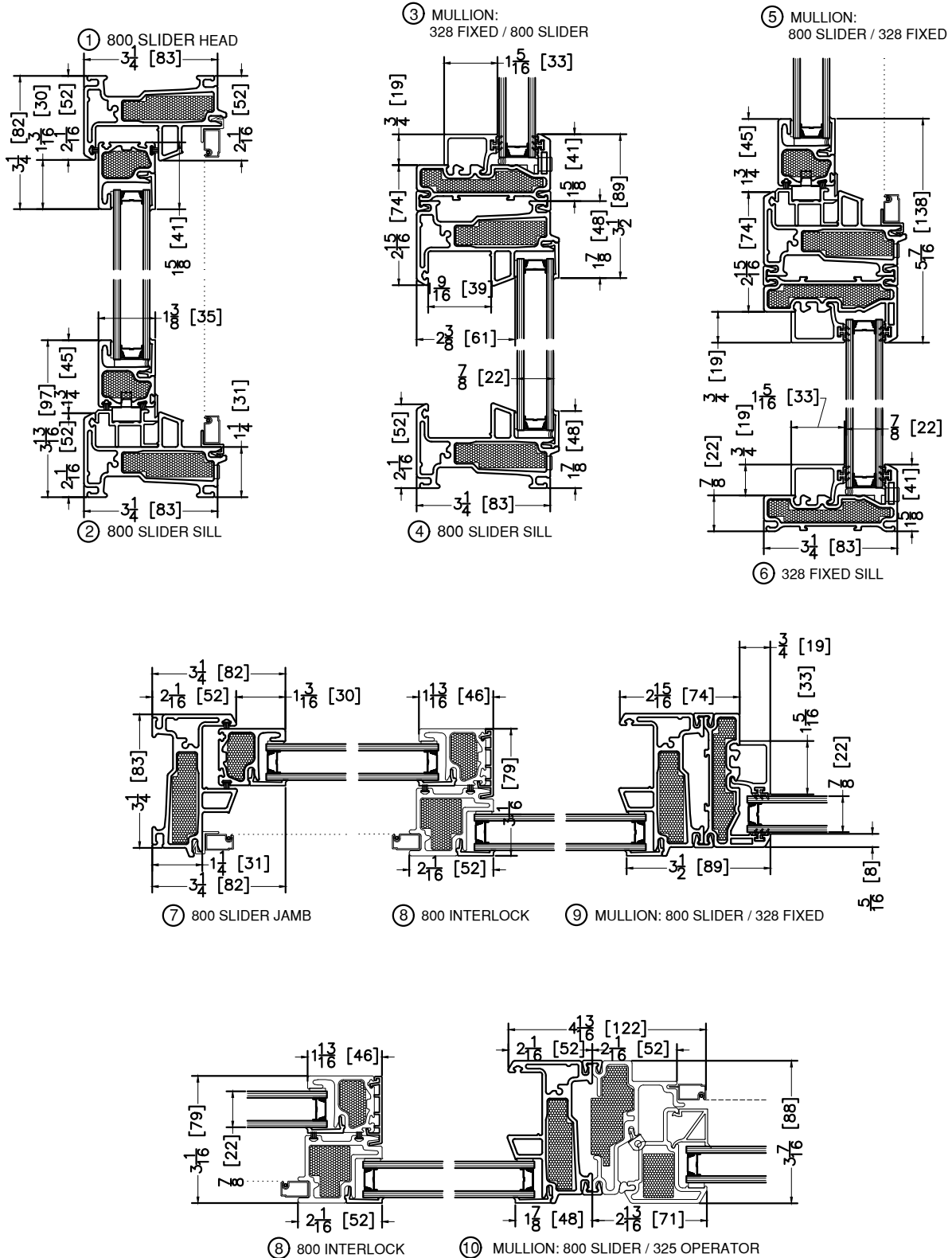
Triple Pane Section Drawings

Rough openings are 1/2" typical all around



Dual Pane Section Drawings

Rough openings are 1/2" typical all around



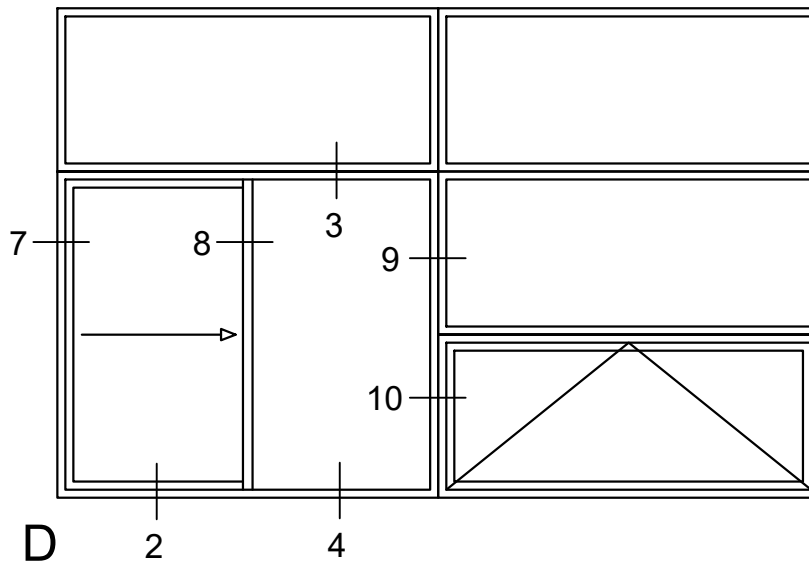
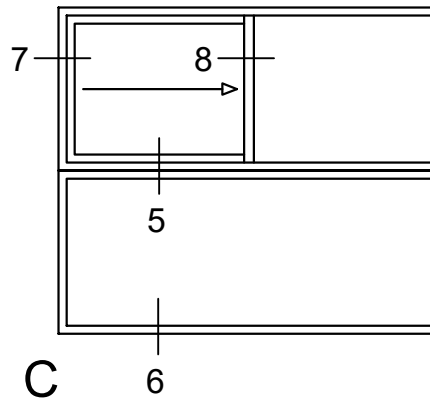
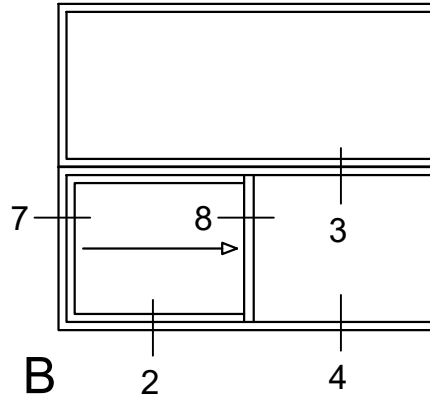
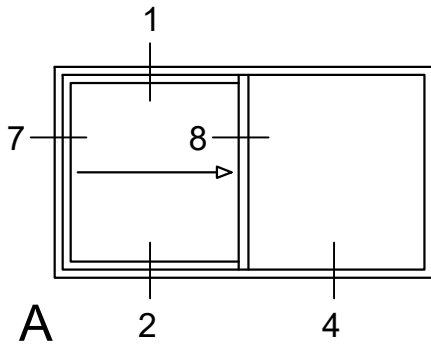


Series 800 Fiberglass Windows

Horizontal Slider

45 Higgins Ave.
Winnipeg MB R3B 0A8
Tel. 1-204-339-6456
Fax 1-204-334-1800
www.duxtonwindows.com

Typical Elevations





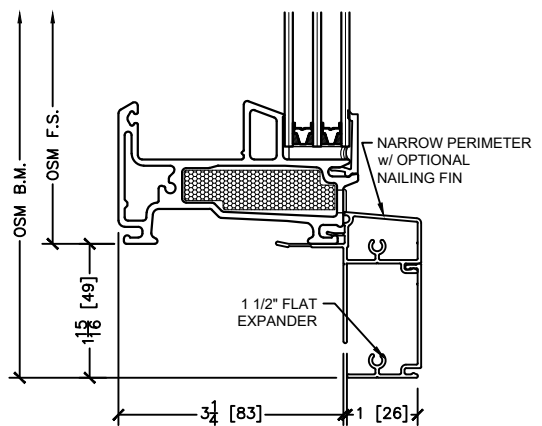
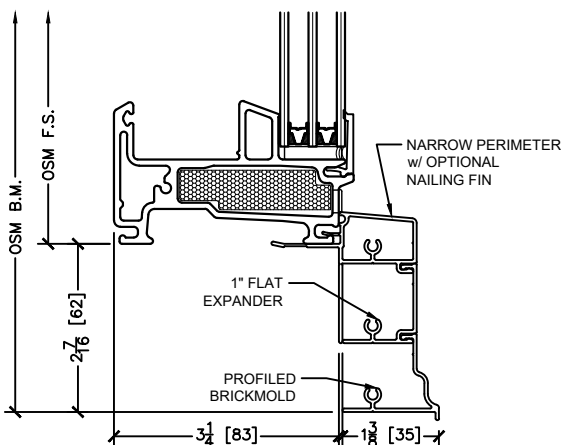
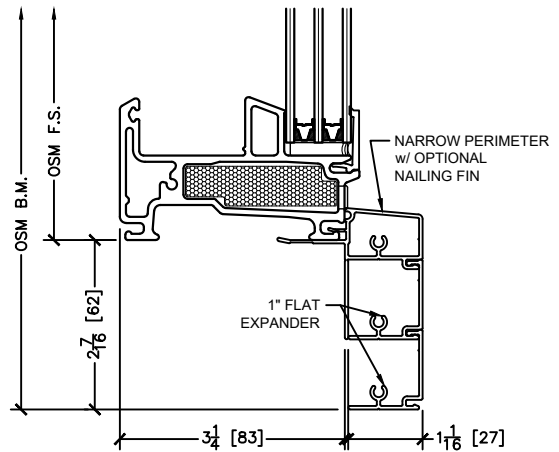
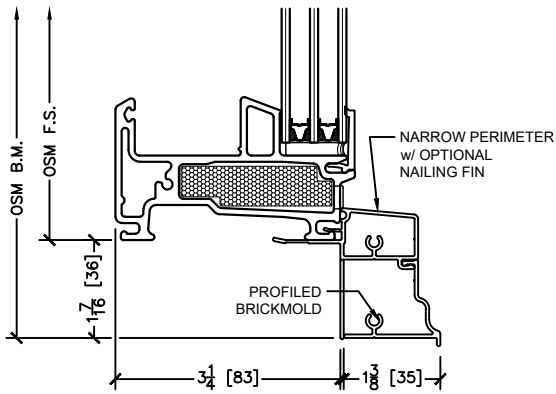
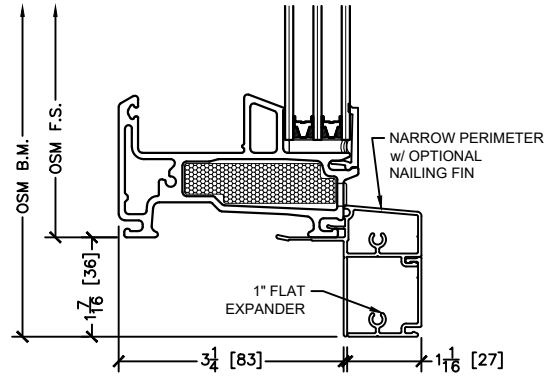
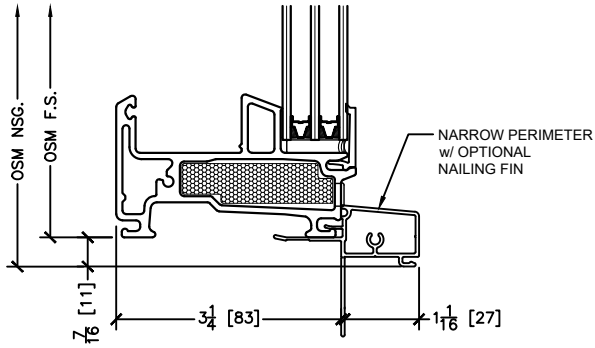
Series 800 Fiberglass Windows

Horizontal Slider

45 Higgins Ave.
Winnipeg MB R3B 0A8
Tel. 1-204-339-6456
Fax 1-204-334-1800
www.duxtonwindows.com

Triple Pane Narrow Perimeter w/ Brickmold Options

Rough openings are 1/2" typical all around





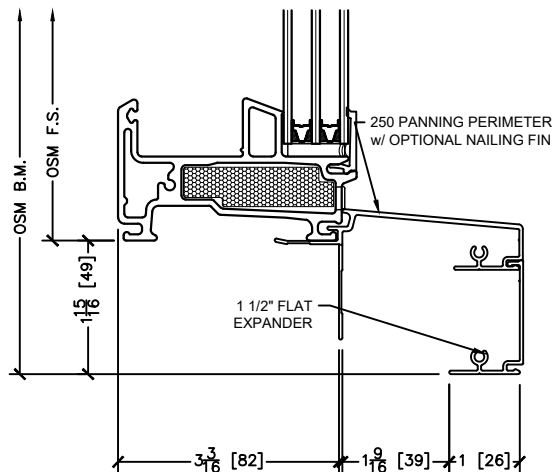
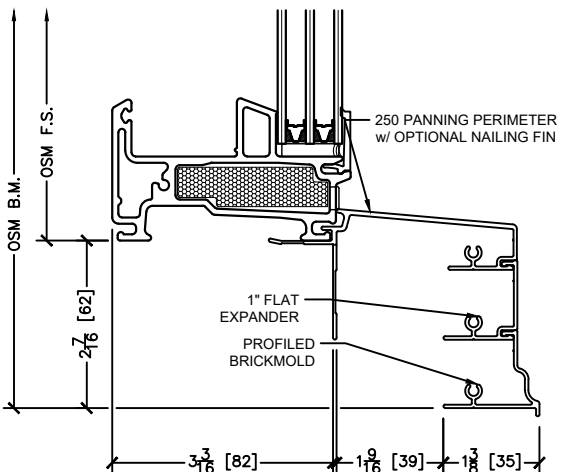
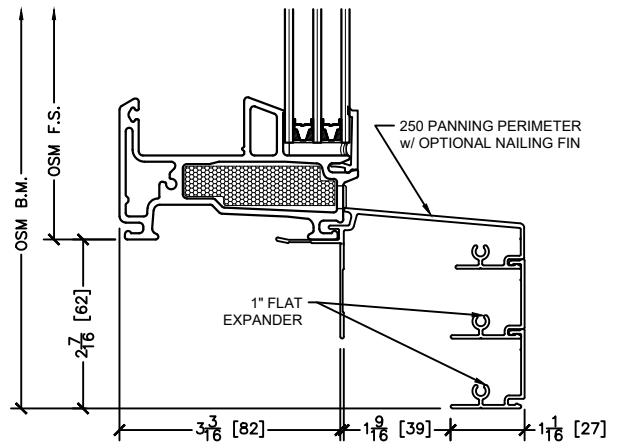
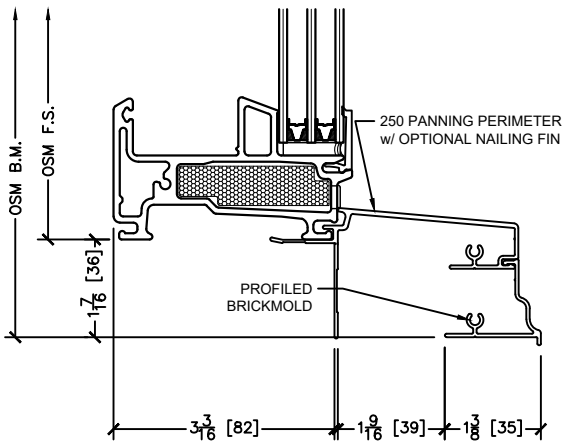
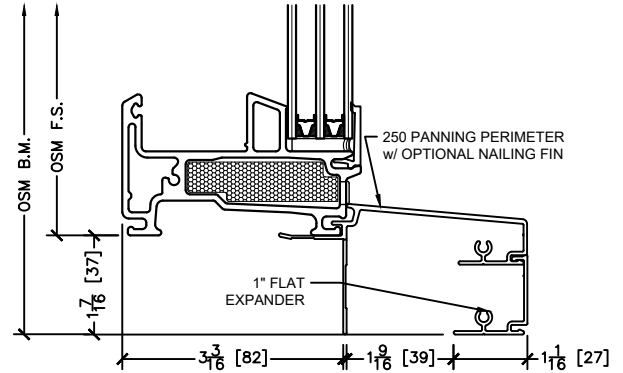
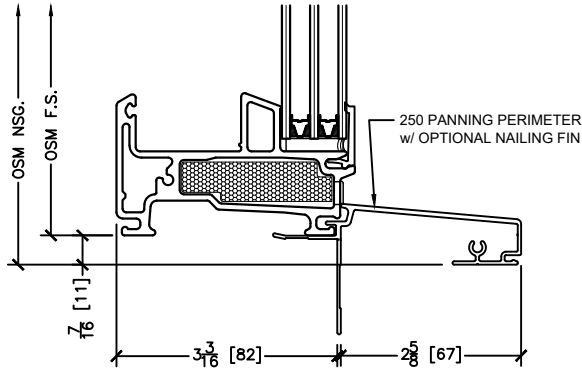
Series 800 Fiberglass Windows

Horizontal Slider

45 Higgins Ave.
Winnipeg MB R3B 0A8
Tel. 1-204-339-6456
Fax 1-204-334-1800
www.duxtonwindows.com

Triple Pane 250 Panning Perimeter w/ Brickmold Options

Rough openings are 1/2" typical all around





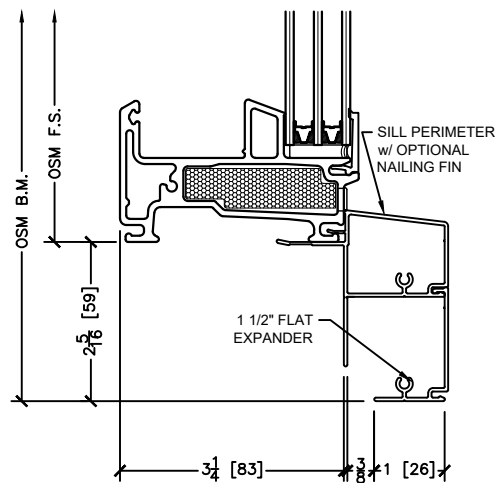
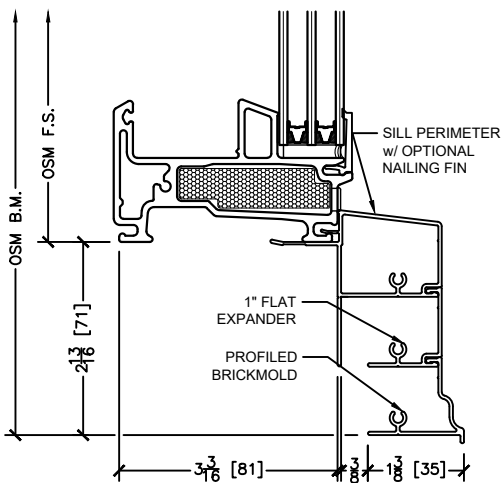
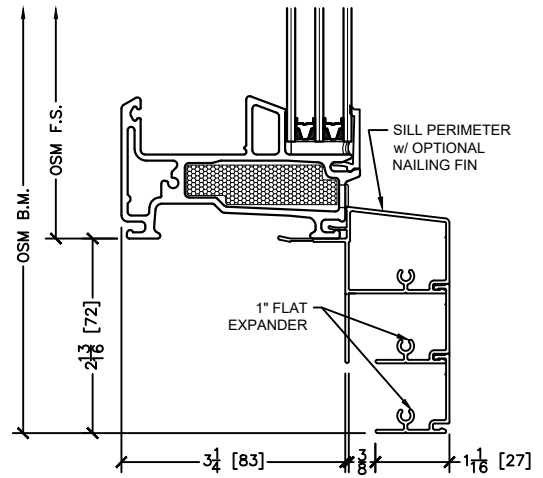
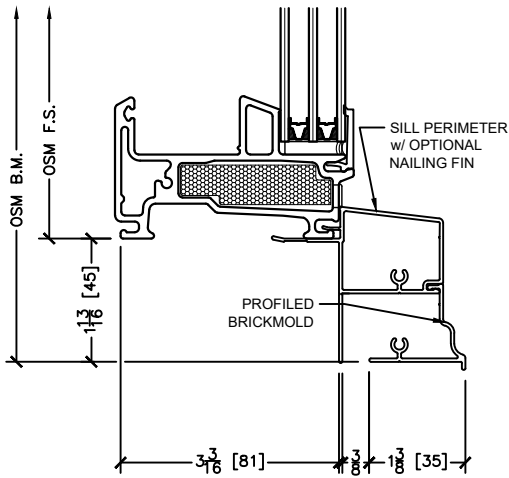
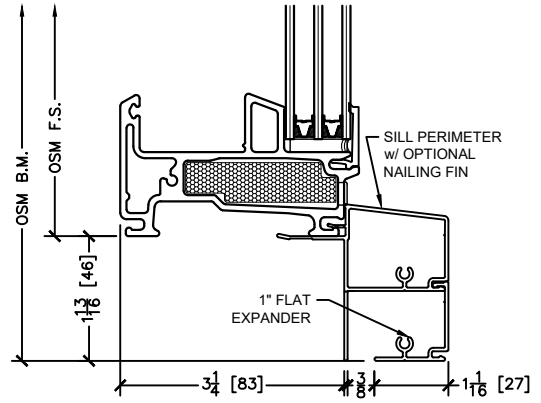
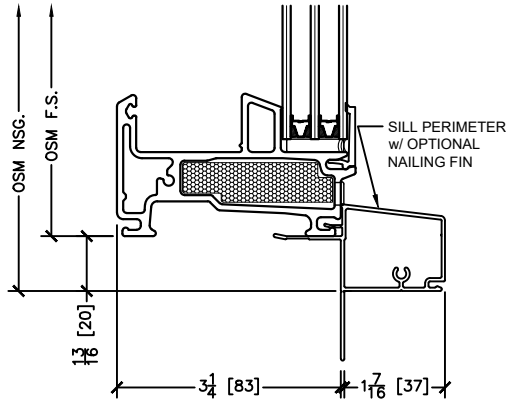
Series 800 Fiberglass Windows

Horizontal Slider

45 Higgins Ave.
Winnipeg MB R3B 0A8
Tel. 1-204-339-6456
Fax 1-204-334-1800
www.duxtonwindows.com

Triple Pane Sill Perimeter w/ Brickmold Options

Rough openings are 1/2" typical all around





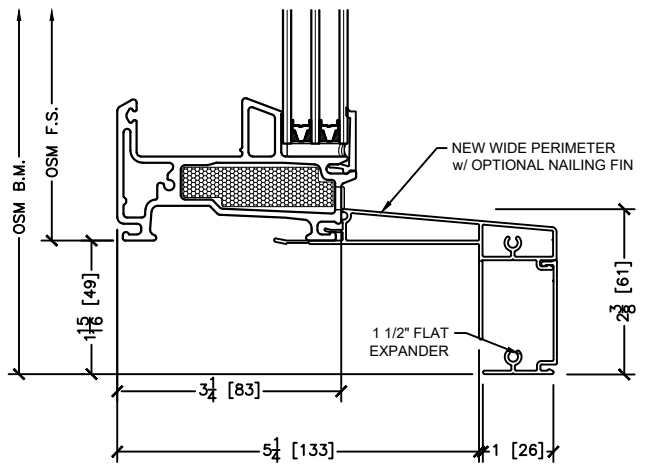
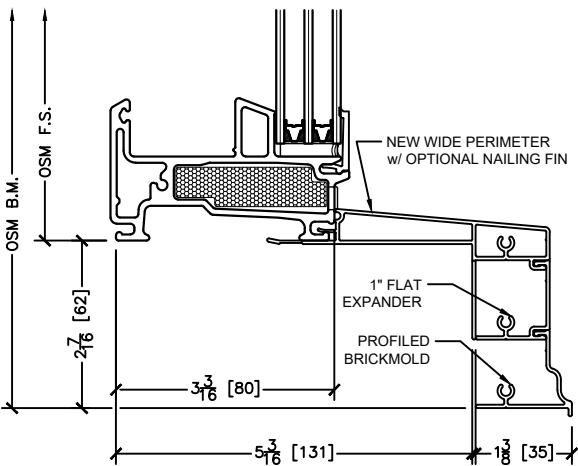
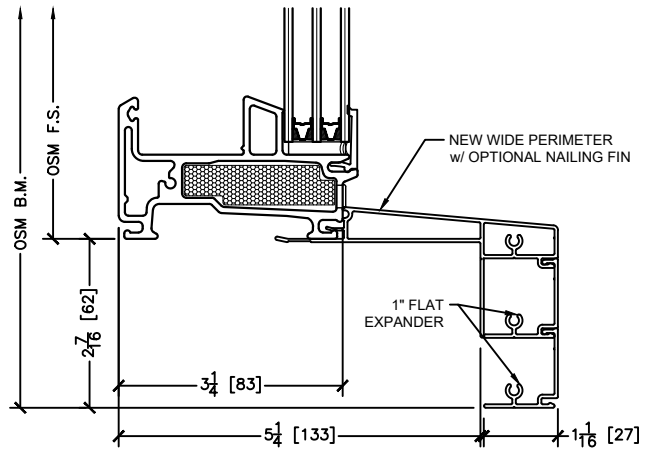
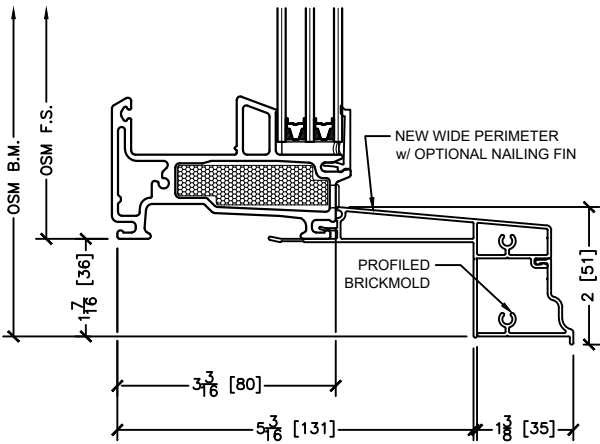
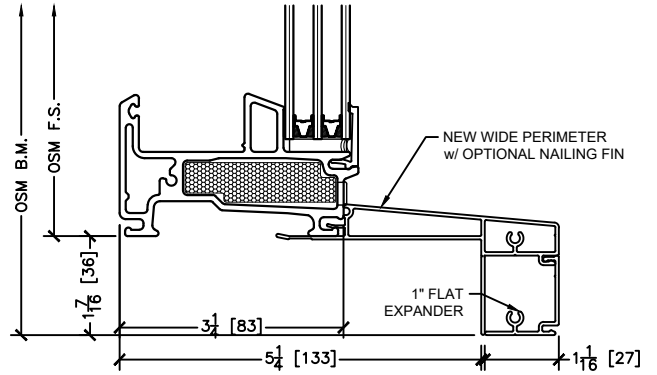
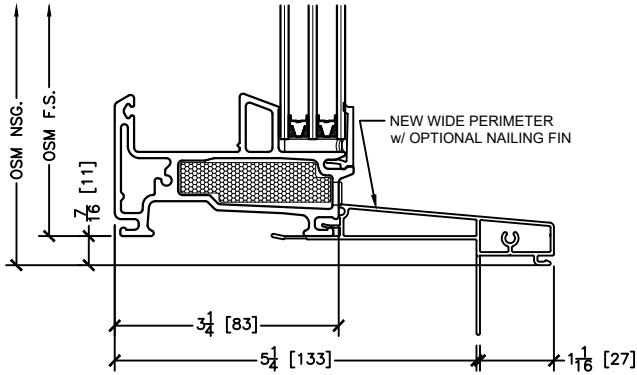
Series 800 Fiberglass Windows

Horizontal Slider

45 Higgins Ave.
Winnipeg MB R3B 0A8
Tel. 1-204-339-6456
Fax 1-204-334-1800
www.duxtonwindows.com

Triple Pane New Wide Perimeter w/ Brickmold Options

Rough openings are 1/2" typical all around



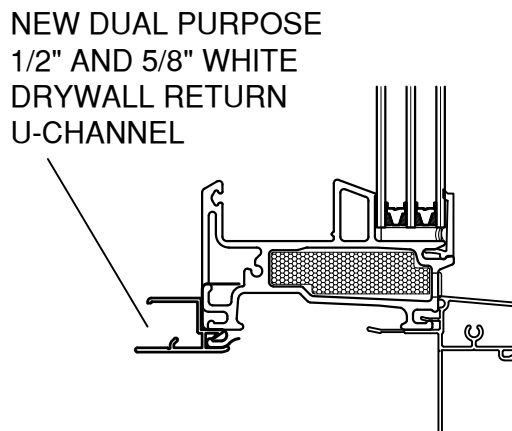
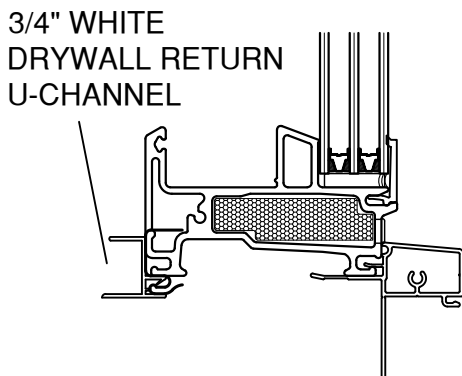
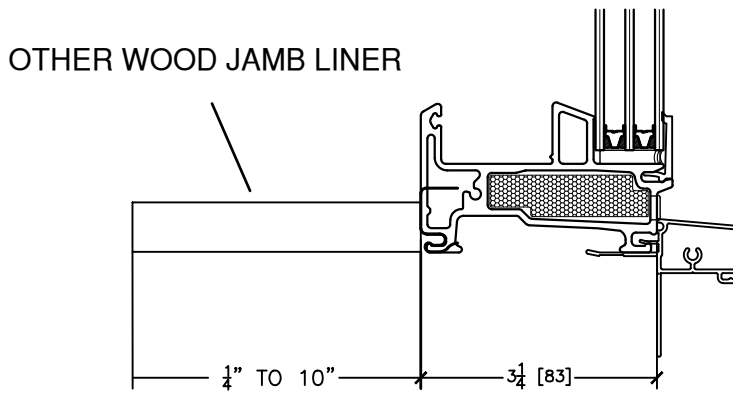
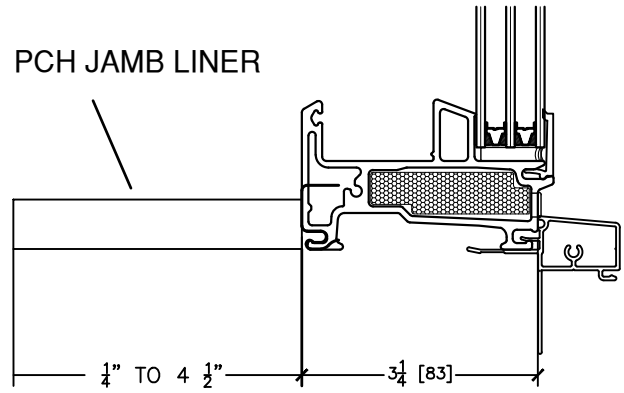
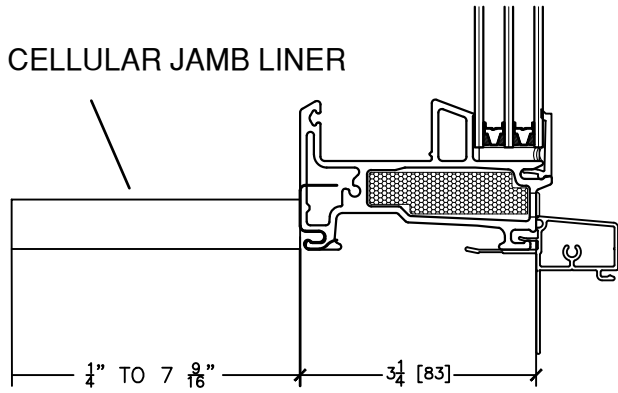


Series 800 Fiberglass Windows

Horizontal Slider

45 Higgins Ave.
Winnipeg MB R3B 0A8
Tel. 1-204-339-6456
Fax 1-204-334-1800
www.duxtonwindows.com

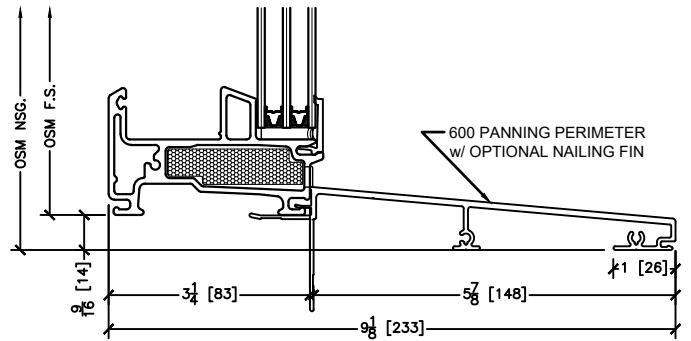
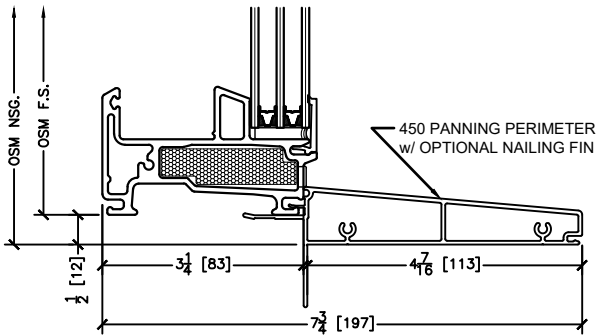
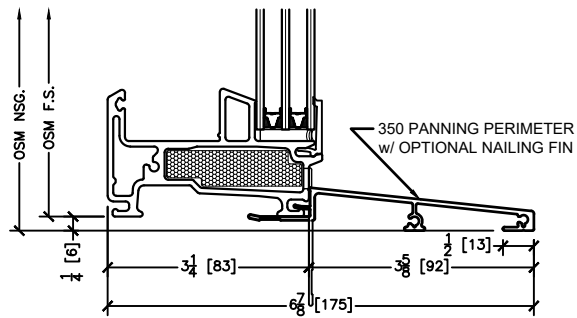
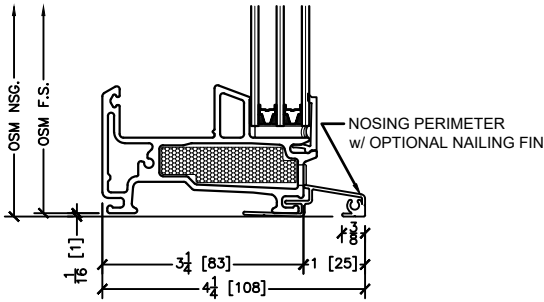
Jamb & Interior Options





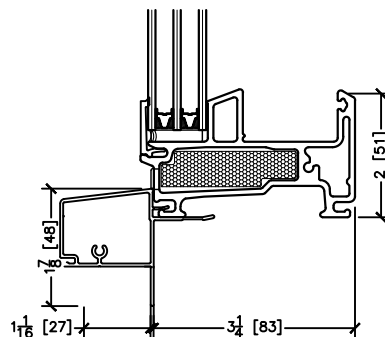
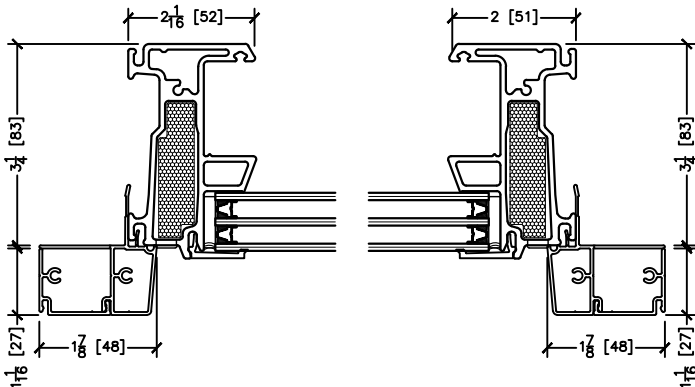
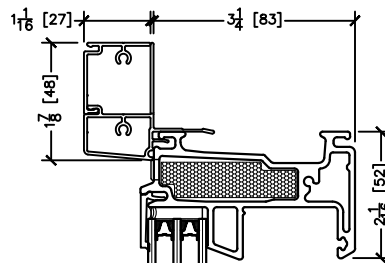
Other Perimeter Options

Rough openings are 1/2" typical all around



NARROW PERIMETER w/ SILL

NARROW PERIMETER WITH 1" FLAT EXPANDER
(HEAD/JAMB)
SILL ON BOTTOM, NAILING FLANGE REMOVED ON SITE
USED IN CONJUNCTION TO REPLACE WOOD WINDOWS
WITH A SILL DETAIL





Installation Clip

Installation Clips

CORNER ANCHORS – SECURE APPROXIMATELY 4” FROM THE CORNERS

PERIMETER ANCHORS – SPACING SHOULD NOT EXCEED 24” APART CENTER TO CENTER

MULLION AND TRANSOM ANCHORS – ALWAYS ANCHOR WITHIN 4” OF MULLION OR TRANSOM

INSTALL CLIPS THAT SNAP INTO PLACE NO SCREWS IN FRAME (D)

