

Swinging Door Installation Guideline

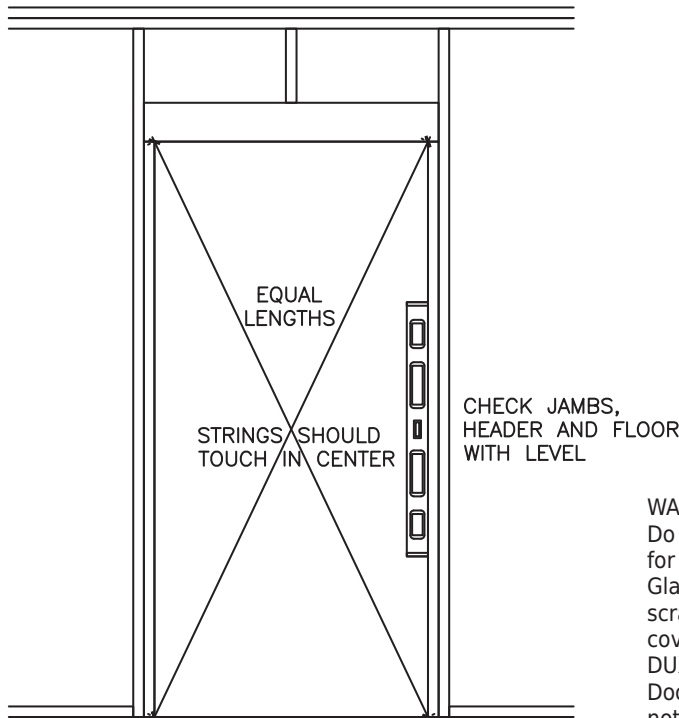
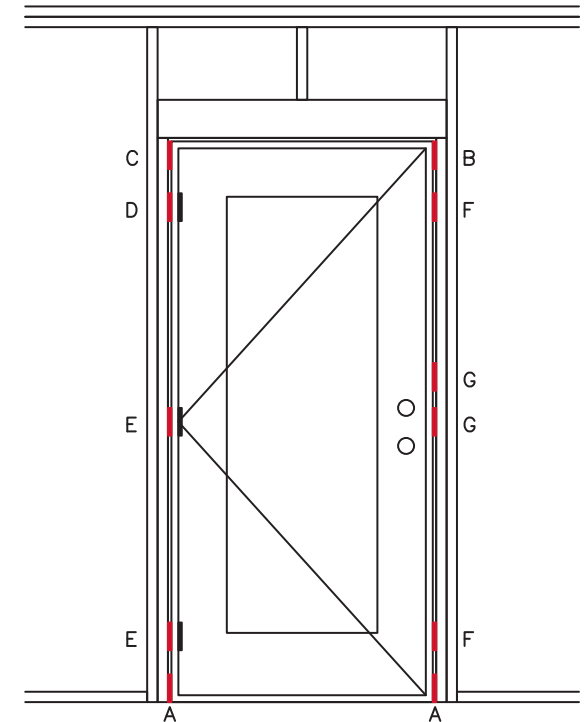


CHECK & PREPARE OPENING

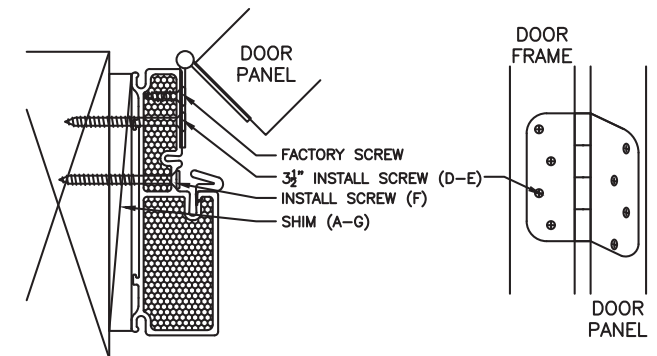
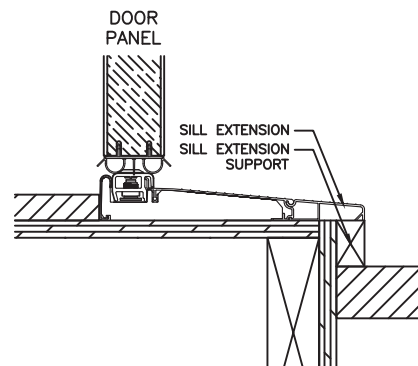
- ROUGH OPENING SHOULD MEASURE FRAME HEIGHT PLUS ½" AND FRAME WIDTH TO 1".
- USE LEVEL TO ENSURE FRAMING/WALLS ARE PLUMB.
- "STRING TEST" TO ENSURE WALLS ARE ON SAME PLANE.
- SILL SHOULD BE LEVEL, SOLID & CLEAN.

INSTALLATION TIPS

- MEASURE FRAME DIAGONALLY ON BOTH SIDES TO ENSURE FRAME IS SQUARE.
- PUSH DOOR FRAME ALL THE WAY INTO ROUGH OPENING - NO GAPS BEHIND NAILING FIN.
- ENSURE DOOR IS SQUARE, LEVEL AND PLUMB.
- NO SHIMS BENEATH DOOR. APPLY SILICONE TO ROUGH SILL & SET DOOR DIRECTLY ON BEADS.
- LETTERS A - G DIAGRAM BELOW SHOW SHIM SEQUENCE.
- (D & E) - REMOVE A FACTORY SCREW FROM EACH HINGE AND REPLACE WITH A 3" SCREW TO FASTEN INTO STUD.
- (F) DRIVE SCREW THROUGH THE FRAME BEHIND WEATHERSTRIP INTO STUD.
- (G) DRIVE SCREW THROUGH THE STRIKE PLATE INTO STUD.
- INSWING DOORS - ADJUST SILL HEIGHT FOR 20-30% COMPRESSION OF SWEEP: TIGHTEN SCREWS TO RAISE; LOOSEN TO LOWER.
- HINGED OFF A SIDELITE: DRIVE LAG BOLTS INTO PREDRILLED HOLES. ENSURE PANEL HAS 1/8" GAP ALL SIDES. INSTALL GLAZING STOPS.
- HINGE SCREWS MUST BE FASTENED INTO STRUCTURAL FRAMING SUCH AS DIMENSIONAL LUMBER OR STEEL.



WARNING:
Do not use scrapers for cleaning glass. Glass scratched by a scraper is not covered under the DUXTON Windows & Doors warranty. Do not clean glass when it is exposed to direct sunlight.



* This guideline is to assist trained & experienced installers and is not complete. Installer is responsible for ensuring door is functional and installation complies with local codes.

Enhancing the Human Environment.